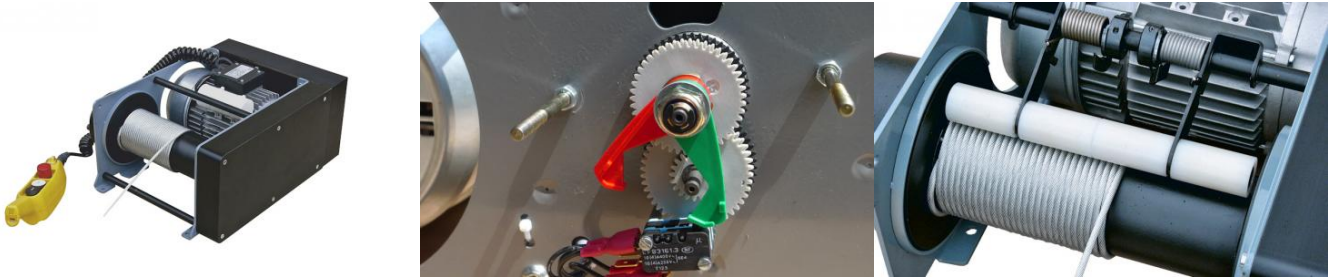


## PRIMO 300 kg - Low voltage control, three phase



Electric winch 300 kg. Economical range subject to the same quality standard as the TRBoxter range.

Use:

- Simple lifting and pulling/hauling operations
- Intermediate operating factor
- Boat hauling
- Lifting doors, hatches...
- Freight lifts
- Traps opening
- Theatre applications
- Swimming pool roofs...

Comply with Directive Machines 2006/42/EC and standard NF E N 14492-1.

### Technical properties

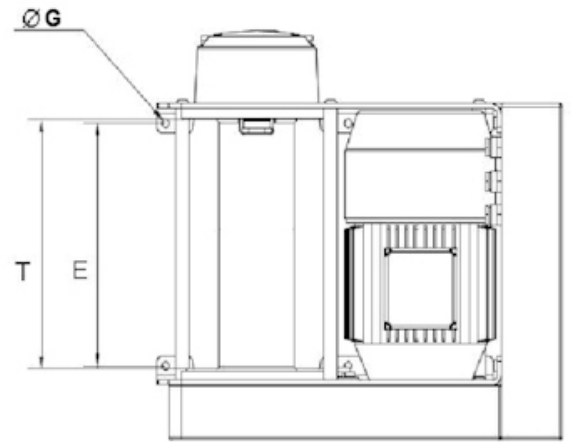
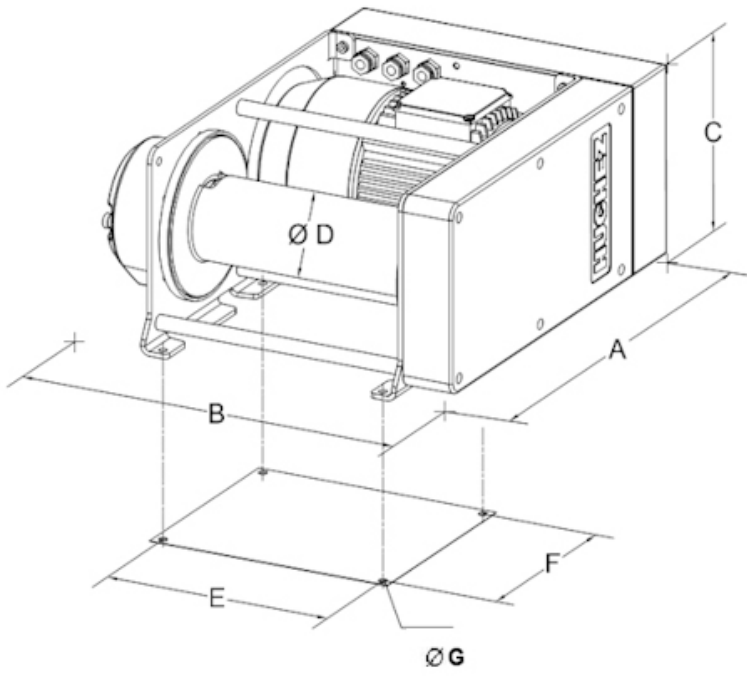
- Steel rigid structure.
- Mechanical welded steel drum with flanges allowing a secure fastening of the wire rope.
- Mechanical parts machined and protected by cataphoresis.
- Three-phase 230/400 V motor brake - 50 Hz lifting type. P = 0.75 kW. Class F. IP 54 Protection.
- Low voltage control assuring user protection against electric risks.
- Up-down pendant control with emergency stop, cable 3 m long.
- Reducer in oil bath with helical gears.
- Limit switch as standard, very easy to adjust and extremely reliable, made specially by HUCHEZ.
- Options: rope-press roller and grooved drum.

## Technical characteristics of PRIMO 300 kg - Low voltage control, three phase

Capacity 1st layer kg	360
Capacity top layer kg	300
Nb of layers	3
Wire rope cap. 1st layer m	13
Wire rope cap. top layer m	48
Wire rope Ø mm	5
Fixed speed 1st layer m/min	7.5
Fixed speed top layer m/min	9.1
FEM	1Bm
Motor kW	0.75
Power	3Ph-230/400V
Weight (without wire rope) kg	35

## Dimensions

A mm	476
B mm	422
C mm	239
D mm	Ø 89
E mm	250
F mm	214
G mm	Ø 9
T mm	257



## Technical characteristics of the other models of the range

References	PRIMO301CD8	PRIMO301BT8	PRIMO303CD8	PRIMO303BT8	PRIMO501CD9
Capacity 1st layer kg	360	360	360	<b>360</b>	630
Capacity top layer kg	300	300	300	<b>300</b>	500
Nb of layers	3	3	3	<b>3</b>	3
Wire rope cap. 1st layer m	13	13	13	<b>13</b>	10
Wire rope cap. top layer m	48	48	48	<b>48</b>	38
Wire rope Ø mm	5	5	5	<b>5</b>	7
Fixed speed 1st layer m/min	7.5	7.5	7.5	<b>7.5</b>	8.6
Fixed speed top layer m/min	9.1	9.1	9.1	<b>9.1</b>	11
FEM	1Bm	1Bm	1Bm	<b>1Bm</b>	1Cm
Motor kW	0.75	0.75	0.75	<b>0.75</b>	1Ph-230V
Power	1Ph-230V	1Ph-230V	3Ph-230/400V	<b>3Ph-230/400V</b>	1.1
Weight (without wire rope) kg	35	35	35	<b>35</b>	40

References	PRIMO501BT9	PRIMO503CD9	PRIMO503BT9	PRIMO991BT4	PRIMO993BT4
Capacity 1st layer kg	630	630	630	1300	1300
Capacity top layer kg	500	500	500	990	990
Nb of layers	3	3	3	4	4
Wire rope cap. 1st layer m	10	10	10	13	13
Wire rope cap. top layer m	38	38	38	68	68
Wire rope Ø mm	7	7	7	8	8
Fixed speed 1st layer m/min	8.6	8.6	8.6	4	4
Fixed speed top layer m/min	11	11	11	5.2	5.2
FEM	1Cm	1Cm	1Cm	1Bm	1Bm
Motor kW	1.1	1.1	1.1	1.1	1.1
Power	1Ph-230V	3Ph-230/400V	3Ph-230/400V	1Ph-230V	3Ph-230/400V
Weight (without wire rope) kg	40	40	40	88	90

References	PRIMO2003BT4
Capacity 1st layer kg	2500
Capacity top layer kg	2000
Nb of layers	3
Wire rope cap. 1st layer m	12
Wire rope cap. top layer m	45
Wire rope Ø mm	11.5
Fixed speed 1st layer m/min	4
Fixed speed top layer m/min	5.2
FEM	1Cm
Motor kW	2.2
Power	3Ph-230/400V
Weight (without wire rope) kg	160



### HUCHEZ's advice

Economical range subject to the same quality standards as the TRBoxter range.



HUCHEZ  
9, Grande Rue  
60420 FERRIERES – France  
☎ +33 (0) 3 44 51 11 33  
Site internet : [www.huchez.com](http://www.huchez.com)  
E-mail : [contact@huchez.fr](mailto:contact@huchez.fr)



SERVICE  
CLIENTS

Pour en savoir plus, n'hésitez pas à nous contacter !  
*To know more, please contact us!*